

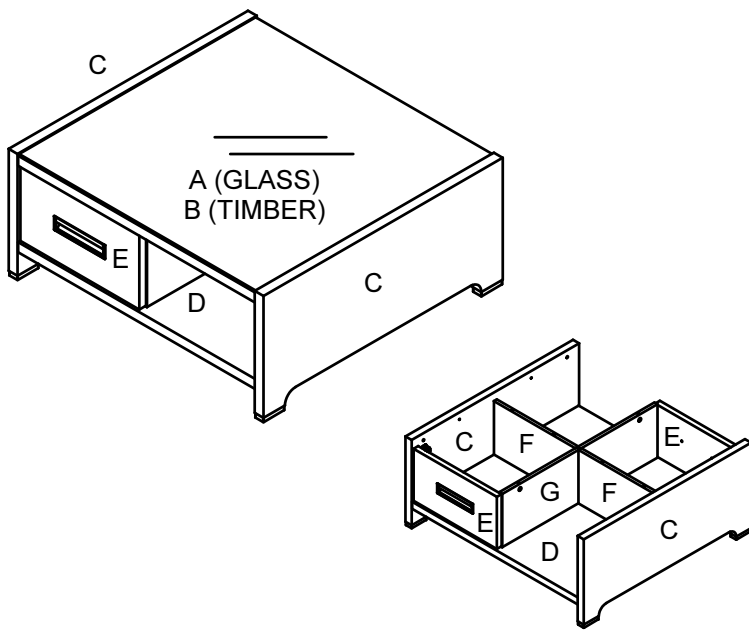
Before you begin to assemble your new piece of furniture please check to ensure all parts and fittings have been supplied. Follow all instructions closely as deviation from them may void warranty and present possible safety risk. It is recommended that assembly is done on a soft surface, like carpet, to avoid damage. CARE INSTRUCTIONS: Periodically re-tighten all fasteners. TOOLS REQUIRED: Allen key (provided), screwdriver. Some packs may come with timber of a different colour to the model purchased. These pieces are for packing purposes only.

If you experience any problems with your new purchase please phone our Customer Service staff on (FREE CALL PHONE / FAX) 1800 029 715

Please keep last page of the instruction for warranty information.

CLEANING AND MAINTENANCE: Do not use solvent or alcohol based cleaners on this unit. To clean unit, we recommend using a warm damp cloth to wipe over surfaces.

PARTS CHECKLIST







CODE	PART	SIZE	QTY
A	GLASS TOP	885 x 885	1
B	TOP	887 x 890	1
C	SIDE	395 x 895	2
D	BASE	887 x 890	1
E	DOOR	445 x 241	2
F	SHORT PARTITION	435 x 247	2
G	LONG PARTITION	830 x 247	1

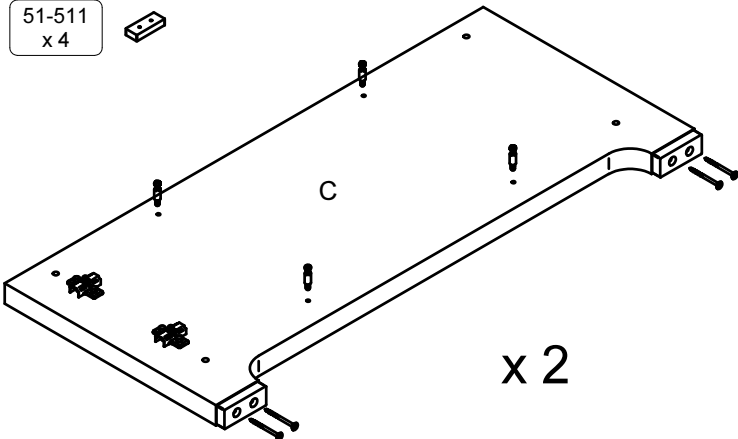
FITTINGS CHECKLIST

CODE	FITTING	DESCRIPTION	QTY
50-001		32mm WOODEN DOWEL	13
50-009		4mm ALLEN KEY	1
50-015		METAL DOWEL	10
50-016		METAL CAM	10
50-043		HI LO SCREW	8
50-421		CONFIRMAT 70mm	6
50-425		BUMP STOP	5




CODE	FITTING	DESCRIPTION	QTY
50-485		SCREW M4 x 15mm	4
50-509		HINGE INSET (35mm)	4
50-510		HINGE BLOCK (6mm)	4
51-488		HANDLE RECESSED	2
51-511		METAL FOOT	4
80-001		GLUE	1

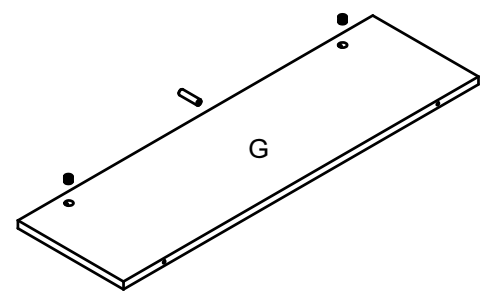
STEP 1: PREPARE SIDE (x 2)

- 50-016 x 8 
- 50-043 x 8 
- 50-509 x 4 
- 51-511 x 4 



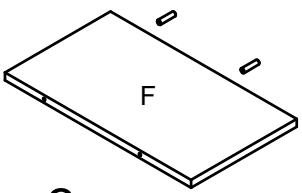
STEP 2: PREPARE LONG PARTITION

- 50-001 x 1  
- 50-015 x 2 






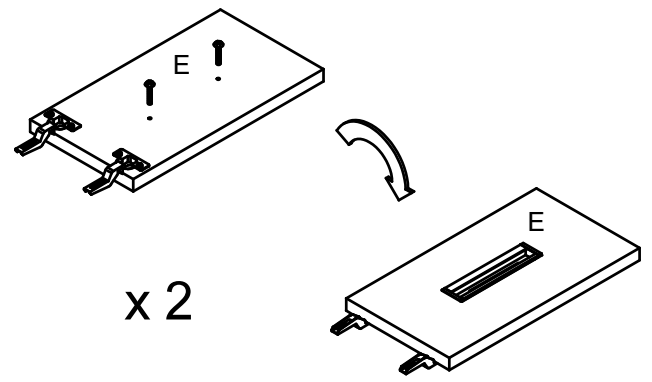
STEP 3: PREPARE SHORT PARTITION (x 2)

- 50-001 x 4  






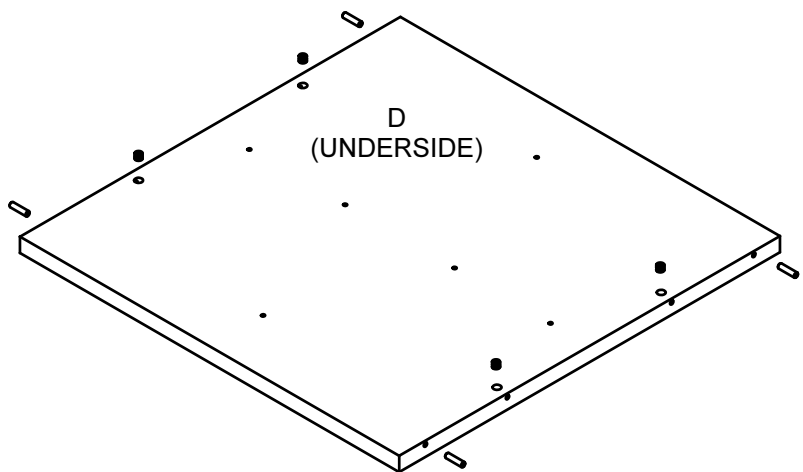
STEP 4: PREPARE DOOR (x 2)

- 50-485 x 4 
- 51-488 x 2 
- 51-509 x 4 



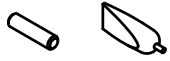
STEP 5: PREPARE BASE

- 50-001 x 4  
- 50-015 x 4 



STEP 6: PREPARE TOP

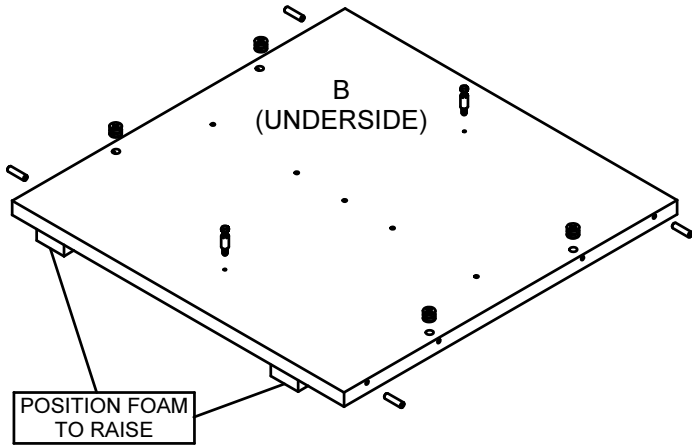
50-001
x 4



50-015
x 4



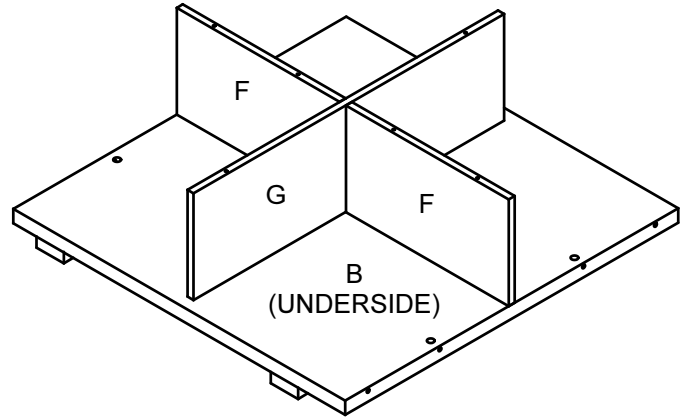
50-016
x 2



STEP 7: ATTACH LONG AND SHORT PARTITION

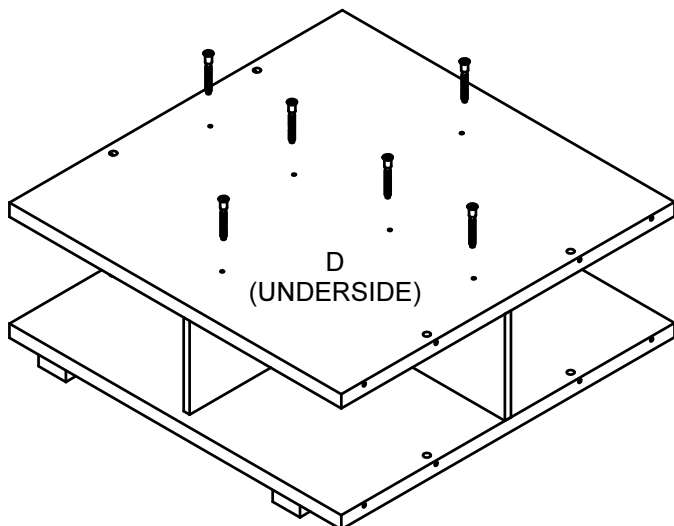


TURN CAM (50-015)
CLOCKWISE TO LOCK



STEP 8: ATTACH BASE

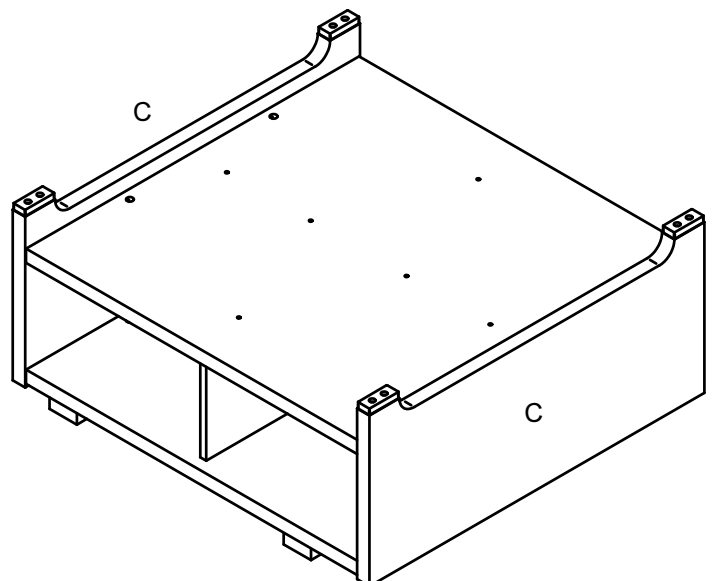
50-421
x 6



STEP 9: ATTACH SIDES



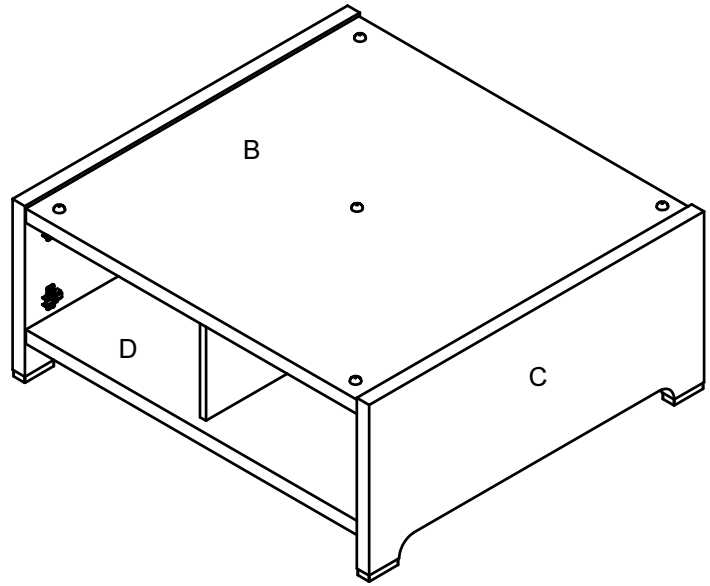
TURN CAM (50-015)
CLOCKWISE TO LOCK



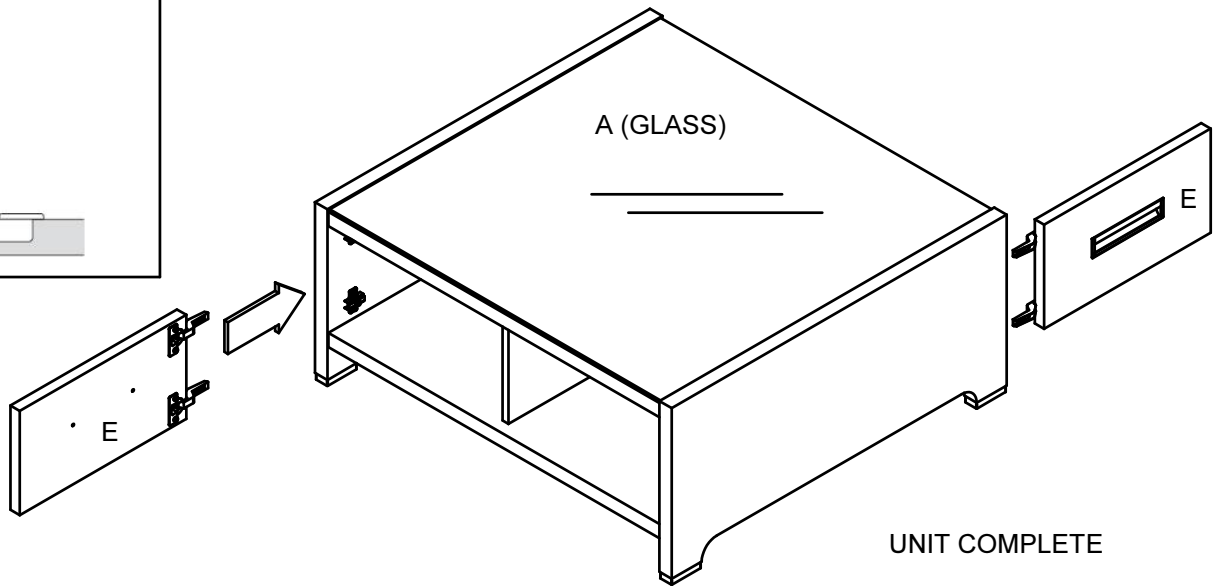
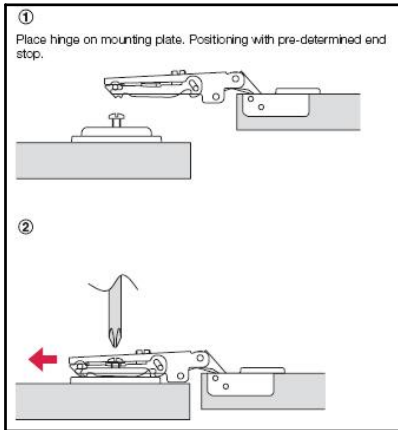
STEP 10: STAND UNIT ON FEET.

50-425
x 5

2 x
PEOPLE
LIFT



STEP 11: ATTACH DOORS.



HINGE ADJUSTMENT

